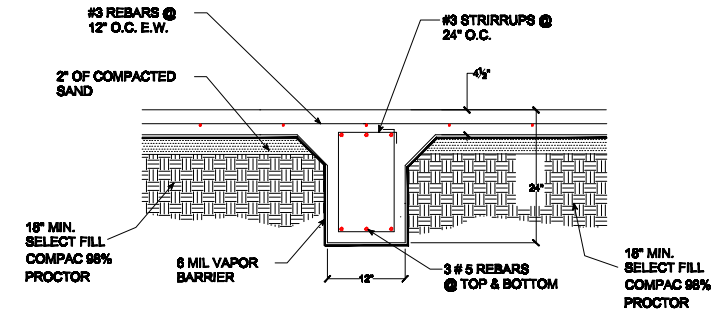
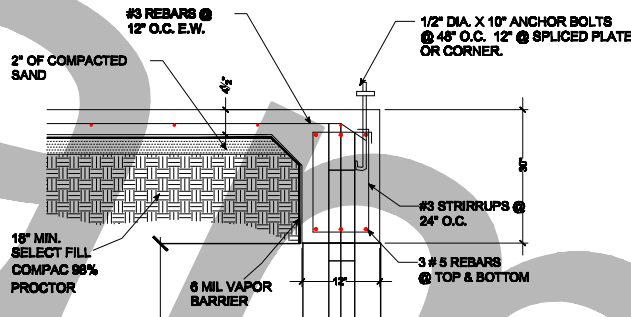


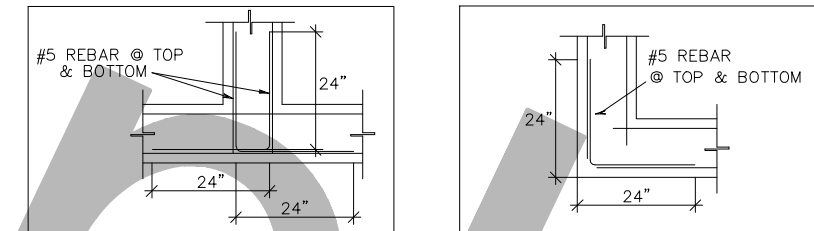
A EXTERIOR BEAM AT HOUSE



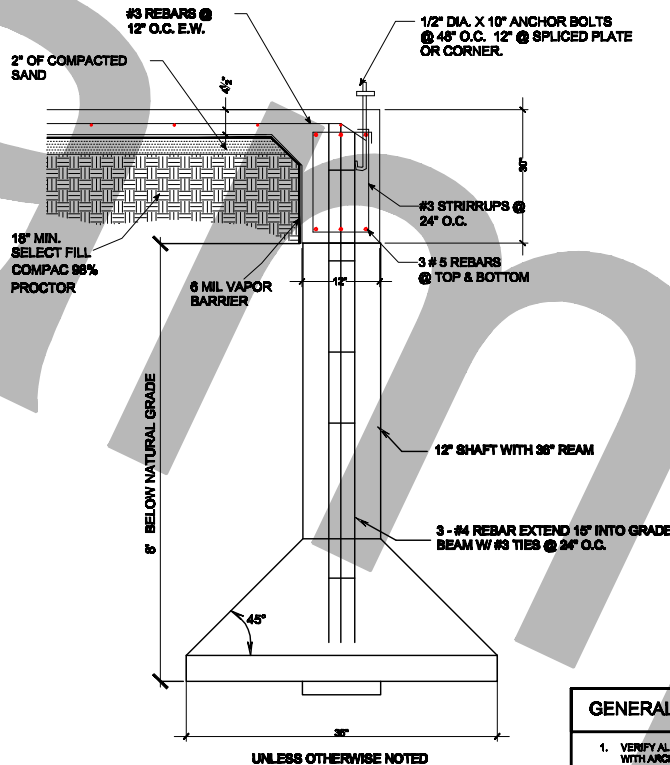
B INTERIOR BEAM



C BEAM BETWEEN HOUSE & PORCH



TYPICAL BAR PLACING DETAILS @ CORNER & INTERSECTION



D SECTION PIER DETAIL

GENERAL NOTES - CONCRETE	SITE : JANET ST. HOUSTON TX. 77055
1. VERIFY ALL DIMENSIONS AND ELEVATIONS OF RECESSES, LEDGES AND STEPS WITH ARCHITECT'S BEFORE COMMENCEMENT OF FORM WORK.	13. UNDERGROUND UTILITIES OR OBSTRUCTIONS ENCOUNTERED SHALL BE REMOVED, RELOCATED OR LEFT IN PLACE AS DIRECTED BY ENGINEER.
2. NO CONCRETE IS TO BE PLACED WITHOUT APPROVAL FROM ENGINEER OR ARCHITECT.	14. BARS DETAILED AS CONTINUOUS SHALL BE LAPPED 80 BAR DIAMETER AT SPLICES.
3. CONCRETE SHALL NOT BE PLACED IN FREEZING OR RAINY WEATHER.	15. ALL CONSTRUCTION SHALL CONFORM TO CURRENT CITY OF HOUSTON BUILDING CODE (LATEST EDITION) AND 3006 I.R.C.
4. ALL CONCRETE WORK SHALL BE IN ACCORDANCE WITH AC308 WITH LATEST REVISIONS.	16. FOOTING DESIGN BASED ON ALLOWABLE SOIL BEARING PRESSURE OF _____ PBF FOR TOTAL LOAD AND _____ PBF FOR DEAD LOAD AT DEPTH OF _____ FEET BELOW NATURAL GRADE.
5. CRUSHED STONE AND GRAVEL CONCRETE SHALL HAVE MINIMUM 28-DAY COMPRESSIVE STRENGTH OF 3000 PSI.	17. THE GENERAL CONTRACTOR SHALL EXAMINE THE MECHANICAL DRAWINGS FOR REQUIRED MECHANICAL WORK TO BE PLACED IN CONCRETE. THE CONTRACTOR SHALL NOTIFY AND RECEIVE PERMISSION FROM THE STRUCTURAL ENGINEER FOR THE PLACING OF SLEEVES, PIPES OR OTHER MATERIALS.
6. ALL CONCRETE EXPOSED TO WEATHER SHALL BE AIR ENTRAINMENT.	18. ALL PIPES GOING THROUGH EXTERIOR GRADE BEAMS SHALL BE SLEEVED. ALL PIPES SHALL BE LOCATED AT MID DEPTH OF GRADE BEAM.
7. REINFORCING STEEL SHALL BE ASTM A618 GRADE 60 WITH 30% DEFORMATIONS, DETAILED, FABRICATED AND INSTALLED PER ACI MANUAL OF STANDARD PRACTICE FOR DETAILING REINFORCING CONCRETE, ACI-318 LATEST REVISION.	19. SIZE OF SLEEVES SHALL NOT EXCEED 1/3 OF OVERALL THICKNESS OF GRADE BEAM. SPACING OF SLEEVES SHALL NOT BE CLOSER THAN 3 DIAMETERS ON CENTER.
8. WELDED SMOOTH WIRE FABRIC SHALL CONFORM TO ASTM-A185.	20. THE ENGINEER SHALL NOT BE LIABLE FOR ANY FOUNDATION REVISION OR CHANGES FROM THE ARCHITECTS, CONTRACTORS OR OWNERS WITHOUT WRITTEN APPROVAL FROM THE ENGINEER.
9. REINFORCING STEEL MINIMUM COVERAGE UNLESS NOTED ON REBAR CHAIRS SHALL BE: FOOTINGS 3" BOT., 3" SIDES & 2" TOP GRADE BEAMS 3" FROM EARTH SLAB 2-1/2" FROM VAPOR BARRIER	21. CURE ALL CONCRETE IMMEDIATELY AFTER FINISHING WITH APPROVED CHEMICAL CURING COMPOUND.
10. CHAMFER #3 AT 30° AT 48 DEGREE.	
11. HOLES FOR DRILLED FOOTINGS SHALL BE PLUMB AND FREE OF ALL LOOSE MATERIALS AND WATER. CONCRETE AND REINFORCING SHALL BE PLACED IMMEDIATELY AFTER EXCAVATION.	
12. PROVIDE CORNER BARS IN THE OUTSIDE FACE OF EXTERIOR GRADE BEAMS TO MATCH THE HORIZONTAL STEEL. AT ALL RE-ENTRANT CORNERS PLACE 2-#4 X 4'-0" IN THE SLAB.	

FOUNDATION PLAN

SC: 1/4" = 1'-0"

PROPRIETARY NOTICE: Permits & Plans here by receive all rights to the content of the drawings or reproduction thereof in any form without authorization. Acceptance of this document constitutes acknowledgment of the Proprietary Notice.

702 ARROWWAY ST. HOUSTON, TX 77012
Tel: (713)-225-9994
Cell: (281) 909-0704
Permits & Plans BUILDING DESIGNER
* Design * Construction * Consulting

PROJECT: _____
DATE: _____
DRAWN BY: PEREZ, MTZ
CHECKED BY: _____
REVISIONS

SHEET NUMBER
ST-1
OF